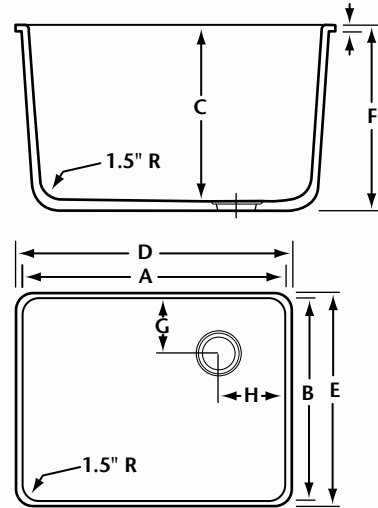


Product Dimensions

DropIn Sinks

DropIn Sinks

Sink No.	Outlet	Wgt (lb)	Dimensions (in)							
			Inside			Outside			Outlet	
			A	B	C	D	E	F	G	H
D01C	Center	9	9.0	6.0	5.8	10.6	7.6	6.8	3.0	4.5
D03C	Center	16	12.0	8.0	5.8	13.6	9.6	6.8	4.0	6.0
A05	Corner	18	14.0	10.0	5.0	15.6	11.6	5.8	3.5	3.5
D05	Corner	22	14.0	10.0	6.2	15.6	11.6	7.2	4.5	4.5
D05C	Center	24	14.0	10.0	6.2	15.6	11.6	7.0	5.0	7.0
D06	Center	34	12.0	12.0	12.0	13.6	13.6	12.9	6.0	6.0
A07	Corner	24	14.0	14.0	5.0	15.6	15.6	5.8	4.5	4.5
D08	Corner	25	15.0	8.0	6.0	16.6	9.6	7.0	4.5	4.5
D09	Corner	25	15.0	8.0	10.8	16.6	9.6	11.8	4.5	4.5
D10	End	20	16.0	8.0	6.8	17.6	9.6	7.8	4.0	4.5
D10C	Center	22	16.0	8.0	6.8	17.6	9.6	7.8	4.0	8.0
D15	Corner	30	16.0	12.0	8.0	17.6	13.6	9.0	4.5	4.5
D15C	Center	31	16.0	12.0	8.0	17.6	13.6	9.0	6.0	8.0
D19	Corner	42	16.0	16.0	9.6	17.6	17.6	10.6	4.5	4.5
D20	Corner	32	16.0	16.0	7.5	17.6	17.6	8.5	4.5	4.5
D21	Corner	58	16.0	16.0	15.0	17.6	17.6	16.0	4.5	4.5
D22C	Center	30	18.0	6.5	6.8	19.6	8.2	7.8	3.3	9.0
A25	Corner	35	18.0	15.0	5.0	19.6	16.6	5.8	4.5	4.5
D25	Corner	39	18.0	15.0	7.9	19.6	16.6	8.9	4.5	4.5
A26	Corner	39	18.0	15.0	5/11	19.6	16.6	12.0	5.5	4.5
D30	Corner	53	18.0	15.0	11.0	19.6	16.6	11.9	4.5	4.5
D30C	Center	50	18.0	15.0	10.8	19.6	16.6	11.8	7.5	9.0
D32	Corner	49	18.0	15.0	15.8	19.6	16.6	16.7	4.5	4.5
D33	Corner	59	21.0	17.0	9.8	22.6	18.6	10.6	4.5	4.5
D33E	End	59	21.0	17.0	9.8	22.6	18.6	10.6	8.5	4.5
D45	Corner	64	21.5	15.5	11.0	23.1	17.1	11.8	4.5	4.5
D50	Corner	54	24.0	16.0	8.3	25.6	17.6	9.3	4.5	4.5
D50C	Center	48	24.0	16.0	8.0	25.6	17.6	9.0	8.0	12.0
D51	Corner	60	24.0	16.0	9.6	25.6	17.6	10.6	4.5	4.5
D52	Corner	77	24.0	18.0	11.0	25.6	19.6	12.0	4.5	4.5
D54	Corner	45	25.0	15.0	8.0	26.6	19.6	8.8	4.5	4.5
A55	Corner	47	25.0	15.0	4.8	26.6	16.6	5.8	4.5	4.5
D55	Corner	61	25.0	15.0	10.0	26.6	16.6	11.0	4.5	4.5
D57	Corner	71	25.0	15.0	13.6	26.6	16.6	14.8	4.5	4.5
D58	Corner	79	25.0	15.0	17.8	26.6	16.6	18.8	4.5	4.5
D59	Corner	61	28.0	15.0	11.8	29.7	16.7	12.5	4.5	4.5
D61	End	94	30.0	16.0	17.8	31.7	17.6	18.8	7.5	4.5
D65C	Center	98	35.5	19.5	9.8	37.1	21.2	10.8	9.8	17.8



ADA compliant sinks are designated by this symbol.

LabTops offers four shallow basin and one graduated depth DropIn Sink to accommodate ADA guidelines. All outside edges and corners are rounded for the user's comfort and protection. Plumbing outlets are located in the right rear corner to maximize space under the sink.